

**Honeywell**  
**Garrett**

ORIGINAL PERFORMANCE

CHAMPIONSHIP WINNING TECHNOLOGY AVAILABLE TO ALL ENTHUSIASTS

---

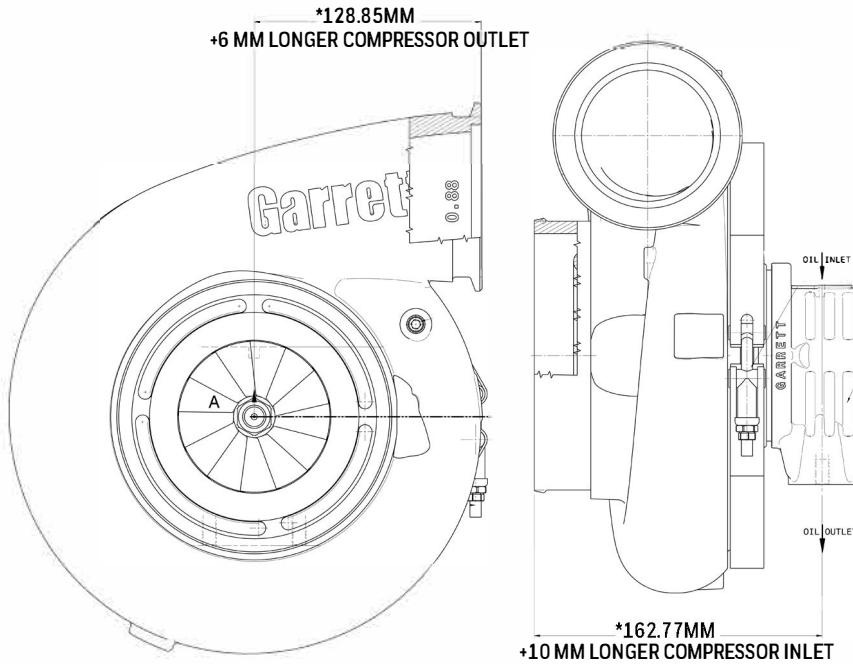
GTX4709R | GTX4720R GEN II

---



# GARRETT® GTX4709R | GTX4720R GEN II TURBOCHARGER UPDATE

Available in 76mm, 80mm, and 88mm inducer diameters, the GTX4709R and GTX4720R are the newest additions to the Garrett® GTX Gen II lineup. Forged fully-machined Gen II compressor wheel aerodynamics offers racing enthusiasts a 9%-15% increase in flow and are compatible with 2.0L - 10.0L engine platforms.



\* COMPARISON TO GEN I

## Features:

- Gen II compressor wheel aerodynamics
- 9%-15% increased flow
- 76mm | 80mm | 88mm inducer configurations
- Larger .88 A/R compressor housing volute
- GTX4709R features a 109mm comp exducer (+1mm) and has 39% lower inertia\*.
- GTX4720R features a 120mm comp exducer (+2mm) and has 30% lower inertia\*.
- Super core and turbine housing sold separately
- Compatible with GT and GTX turbine housings

GTX4709R Gen II Reference Data		Compressor				Turbine		
Super Core PN	Replaces	Inducer	Exducer	Trim	A/R	Inducer	Exducer	Trim
851285-5011S	NEW	76mm	109mm	49	0.88	93mm	84mm	82
851285-5012S	804878-5002S	80mm	109mm	54	0.88	93mm	84mm	82
Notes:		Turbine Kit PN	A/R	Inlet	Outlet	Wastegate	Divided	Trim
Super Core and Turbine Kit Sold Separately		761208-0009	0.96	T6	V-Band	Free Float	N	82
		761208-0010	1.08	T6	V-Band	Free Float	N	82
		761208-0011	1.23	T6	V-Band	Free Float	N	82
		761208-0012	1.39	T6	V-Band	Free Float	N	82

GTX4720R Gen II Reference Data		Compressor				Turbine		
Super Core PN	Replaces	Inducer	Exducer	Trim	A/R	Inducer	Exducer	Trim
851285-5013S	NEW	76mm	120mm	41	0.88	93mm	84mm	82
851285-5014S	NEW	80mm	120mm	45	0.88	93mm	84mm	82
851285-5015S	804878-5007S	88mm	120mm	54	0.88	93mm	84mm	82
Notes:		Turbine Kit PN	A/R	Inlet	Outlet	Wastegate	Divided	Trim
Super Core and Turbine Kit Sold Separately		761208-0009	0.96	T6	V-Band	Free Float	N	82
		761208-0010	1.08	T6	V-Band	Free Float	N	82
		761208-0011	1.23	T6	V-Band	Free Float	N	82
		761208-0012	1.39	T6	V-Band	Free Float	N	82

**Honeywell**  
**Garrett®**

For more information

TURBOBYGARRETT.COM

© 2018 Honeywell International Inc.

/TURBOLIFE

/GARRETTTURBOS

@TURBOBYGARRETT