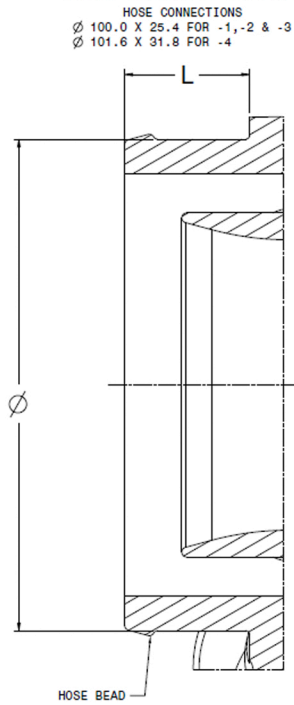
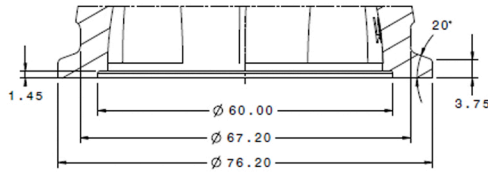


COMPRESSOR INLET



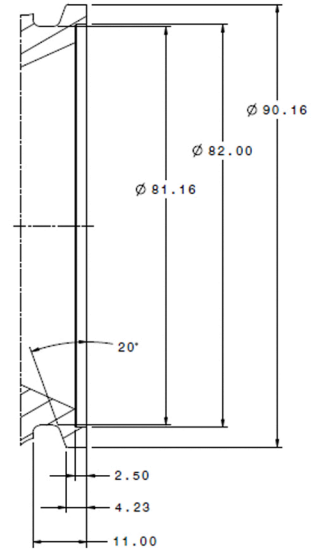
TURBINE INLET

V-BAND CONNECTIONS



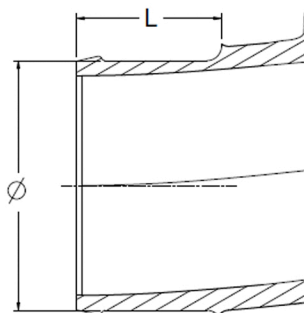
TURBINE OUTLET

V-BAND CONNECTIONS

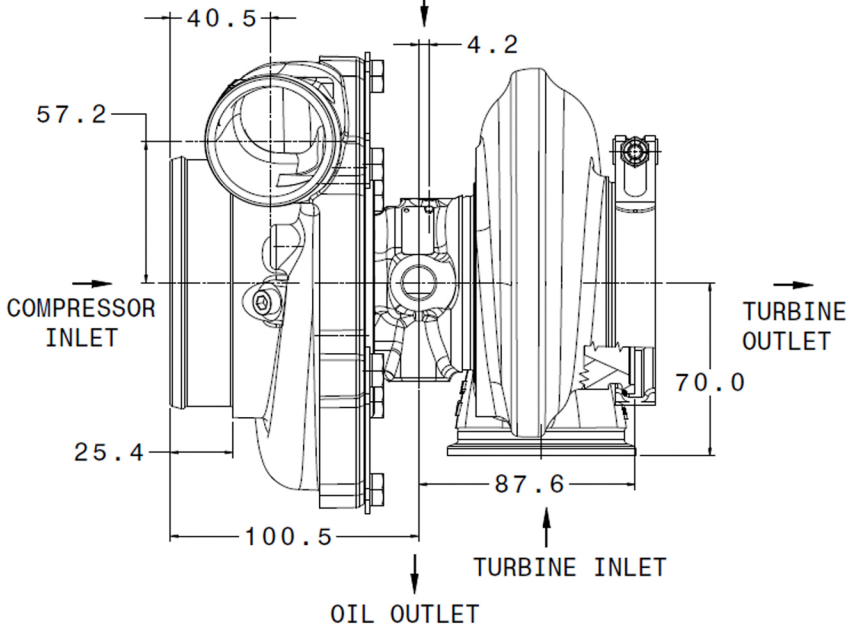


COMPRESSOR OUTLET

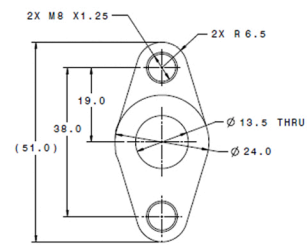
HOSE CONNECTIONS
 \varnothing 50.8 X 29.5 FOR -1, -2 & -3
 \varnothing 63.5 X 31.0 FOR -4



OIL INLET

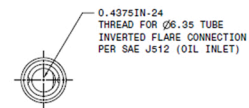


OIL OUTLET



WATER
M14 X 1.50

OIL INLET



ALL MEASUREMENTS IN MM

851154-1, -2, -3