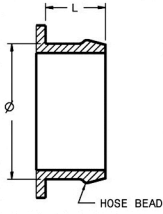


Compressor Inlet

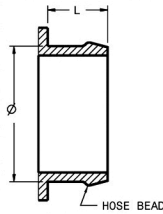
HOSE CONNECTIONS
TABULATED AS (Ø x L)



Ø 101.6 x 25.0

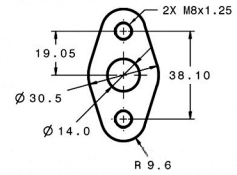
Compressor Outlet

HOSE CONNECTIONS
TABULATED AS (Ø x L)



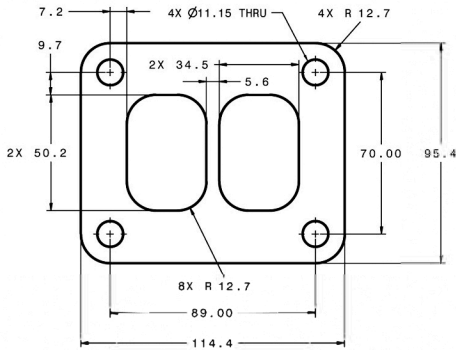
Ø 65 x 32

Oil Inlet

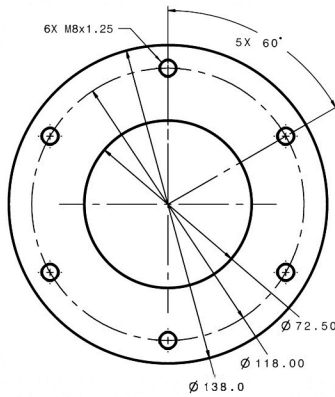


Turbine Inlet

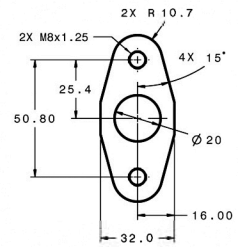
"T4I"



Turbine Outlet

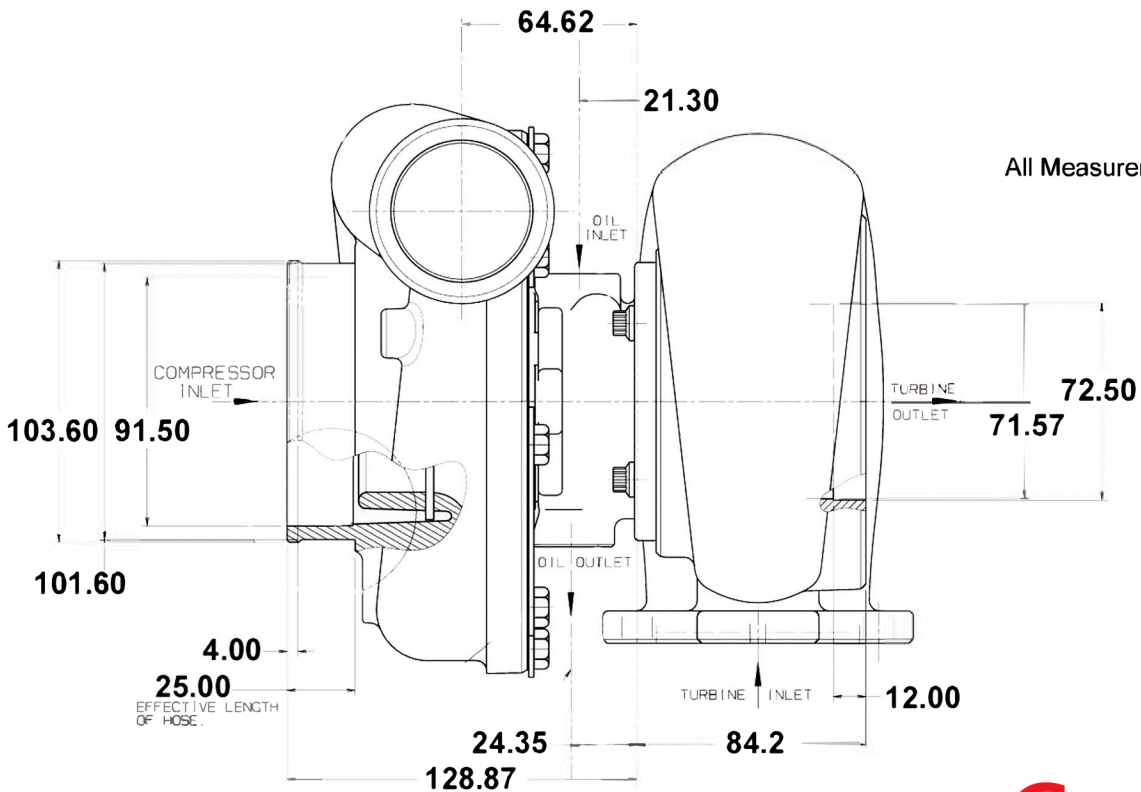


Oil Outlet



Water

Not Applicable



All Measurements in MM